

Eyeball HDVI Camera Quick Setup Guide

NO:101-400-0198-03
Issue:1.2

Precautions

Fully understand this document before using this device, and strictly observe rules in this document when using this device. If you install this device in public places, provide the tip "You have entered the area of electronic surveillance" in an eye-catching place. Failure to correctly use electrical products may cause fire and severe injuries.

WARNING	It alerts you to moderate dangers which, if not avoided, may cause minor or moderate injuries.
CAUTION	It alerts you to risks. Neglect of these risks may cause device damage, data loss, device performance deterioration, or unpredictable results.
NOTE	It provides additional information.

WARNING

- Strictly observe installation requirements when installing the device. The manufacturer shall not be held responsible for device damage caused by users' non-conformance to these requirements.
- Strictly conform to local electrical safety standards and use power adapters that are marked with the LPS standard when installing and using this device. Otherwise, this device may be damaged.
- Use accessories delivered with this device. The voltage must meet input voltage requirements for this device.
- If this device is installed in places with unsteady voltage, ground this device to discharge high energy such as electrical surges in order to prevent the power supply from burning out.
- When this device is in use, ensure that no water or any liquid flows into the device. If water or liquid unexpectedly flows into the device, immediately power off the device and disconnect all cables (such as power cables and network cables) from this device.
- Do not focus strong light (such as lighted bulbs or sunlight) on

this device. Otherwise, the service life of the image sensor may be shortened.

- If this device is installed in places where thunder and lightning frequently occur, ground the device nearby to discharge high energy such as thunder strikes in order to prevent device damage.

CAUTION

- Avoid heavy loads, intensive shakes, and soaking to prevent damages during transportation and storage. The warranty does not cover any device damage that is caused during secondary packaging and transportation after the original packaging is taken apart.
- Protect this device from fall-down and intensive strikes, keep the device away from magnetic field interference, and do not install the device in places with shaking surfaces or under shocks.
- Clean the device with a soft dry cloth. For stubborn dirt, dip the cloth into slight neutral cleanser, gently wipe the dirt with the cloth, and then dry the device.
- Do not jam the ventilation opening. Follow the installation instructions provided in this document when installing the device.
- Keep the device away from heat sources such as radiators, electric heaters, or other heat equipment.
- Keep the device away from moist, dusty, extremely hot or cold places, or places with strong electric radiation.
- If the device is installed outdoors, take insect- and moisture-proof measures to avoid circuit board corrosion that can affect monitoring.
- Remove the power plug if the device is idle for a long time.
- Before unpacking, check whether the fragile sticker is damaged. If the fragile sticker is damaged, contact customer services or sales personnel. The manufacturer shall not be held responsible for any artificial damage of the fragile sticker.

Special Announcement

- All complete products sold by the manufacturer are delivered along with nameplates, quick setup guide and accessories after strict inspection. The manufacturer shall not be held responsible for counterfeit products.
- The manufacturer will update this manual according to product function enhancement or changes and regularly update the software and hardware described in this manual. Update information will be added to new versions of this manual without prior notice.
- This manual may contain misprints, technology information that is not accurate enough, or product function and operation description that is slightly inconsistent with the actual product, the final interpretation of company is as a standard.
- This manual is only for reference and does not ensure that the information is totally consistent with the actual product. For consistency, see the actual product.

NOTE

For more information, please refer to website.

1 Open Package Examination

Open the package, check the appearance of product for no obvious damage, and confirm the item list for table 1-1 is consistent.

Table 1-1 Packing list

Component	Quantity	Remark
Eyeball HDVI Camera	1	
Quick Setup Guide	1	
Installation location sticker	1	
L wrench	1	Alternative
T15 screwdriver	1	
Black stainless self-tapping screw PA4.0×30mm	3	Alternative
Swell plastic button ϕ 10.8×39mm		
Black stainless self-tapping screw PA4.0×35mm	4	
Swell plastic button S8×30mm		

Operation description

SET key: It is used to enter OSD menus or select menu items when you press this key in the middle of the multi function switch.
UP/DOWN keys: The UP and DOWN keys are used to select menu items upwards and downwards by prodding the multi function switch upwards and downwards, the menu items rapidly roll upwards and downwards accordingly;
LEFT/RIGHT keys: The LEFT and RIGHT keys are used to select menu items horizontally or modify parameters by prodding the multi function switch towards the left or the right, the parameter values will rapidly decrease or increase.
 Press and hold the LEFT button for 5s to switch to AHD mode. Press and hold the RIGHT button for 5s to switch to TVI mode. Press and hold the UP button for 5s to switch to CVBS mode. Press and hold the DOWN button for 5s to switch to CVI mode.

NOTE

The detail operation of OSD refer to *Camera OSD Operation Guide*.

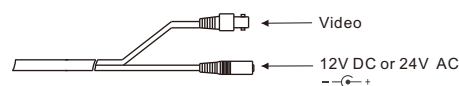
2 Device Structure

2.1 Power and video cables

NOTE

Different device may have different power cable, please refer to the actual product.

Figure 2-1 Power and video cable

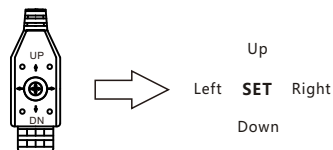


Connect the BNC connector of the power or video cable to a video signal cable and connect the other connector to a low-voltage power cable (12V DC or 24V AC). After installing the camera, directly connect the video cable and power cable.

2.2 Function Keys

Users can call OSD main menus through multi function switch control keys, and check and set camera parameters, function keys is shown as figure 2-2.

Figure 2-2 Function keys



2.3 Camera Dimensions Unit:mm

NOTE

Different device may have different dimensions, please refer to the actual product.

Figure 2-3 Fixed focus small Eyeball

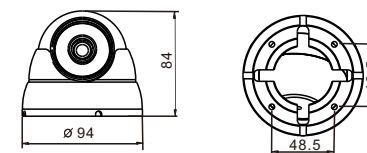


Figure 2-4 Fixed focus quick installation small Eyeball1

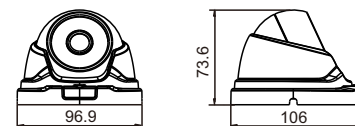


Figure 2-5 Fixed focus quick installation small Eyeball2

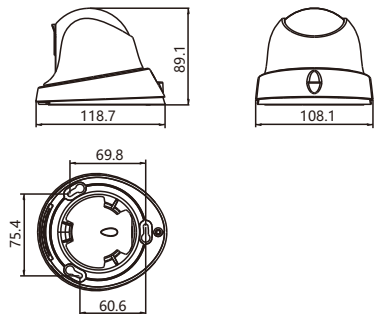


Figure2-6 Zoom lens large eyeball1

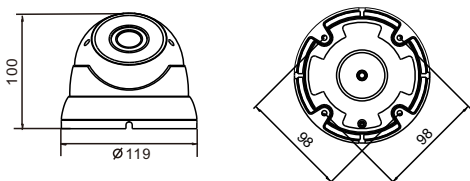


Figure2-7 Zoom lens large eyeball2

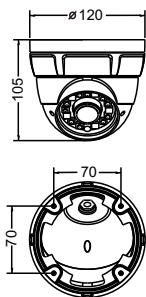
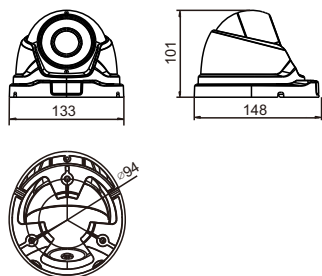


Figure2-8 Zoom lens quick installation arge eyeball2

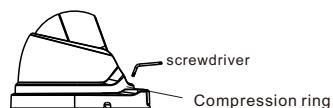
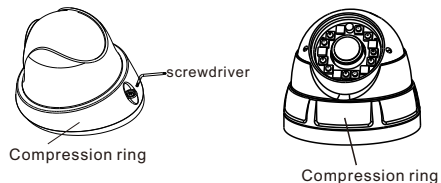


3 Device Installation

Installation Steps:

Step 1 Open a package, take out the camera and the accessories, unscrew the compression ring or use the screwdriver to loosen the screw, remove the compression ring, as shown in figure 3-1.

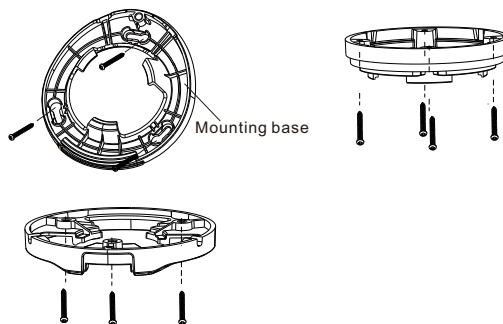
Figure 3-1 Removing compression ring



Step 2 Stick the Installation location sticker on the ceiling or wall, Drill three holes based on the marks on the sticker. Drive the swell plastic buttons into the holes.

Step 3 Fix the camera mounting base to the mounting surface, by use of self-tapping screws, as shown in figure 3-2.

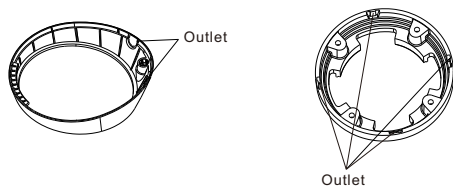
Figure 3-2 Fixing the mounting base



NOTE

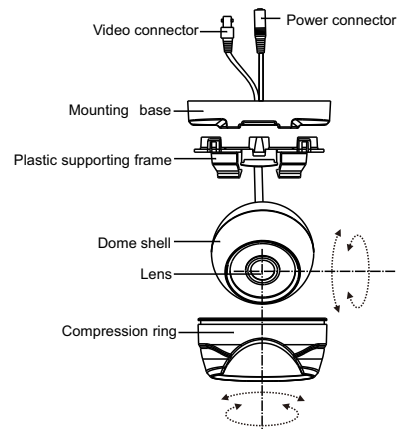
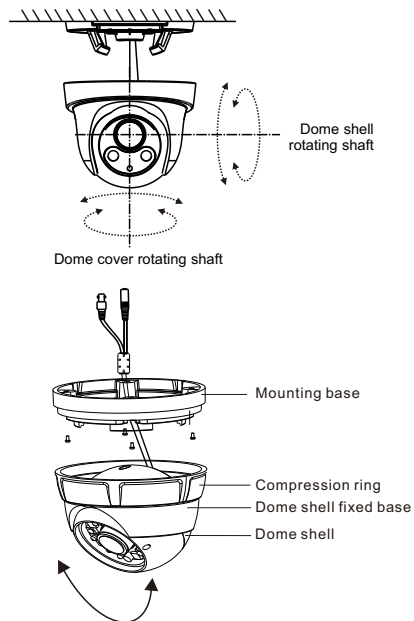
you can route cables from the top or from aside. If you use the top routing method, drill a hole in the surface first. If you use the aside routing method. When you route cables from aside, please cut the compression ring outlet, as shown in figure 3-3, and route the cable out from the side gap at the bottom of the camera.

Figure 3-3 Cutting the compression ring outlet



Step 4 Install the dome shell and the compression ring on the mounting base, adjust the position so that the camera faces the monitored area, then tighten the screw, as shown in figure 3-4.

Figure 3-4 Installing and djusting camera



Step 5 For camera of zoom lens, adjust view angle and focal length by using an adjusting tool, as shown in figure 3-5.

Figure 3-5 Adjusting view angle and focal length

